



LD1450-600-0

●Specifications:

Wavelength: 1450nm
Power: 600mW CW
Package: TO3, C-mount

●Absolute Maximum Ratings($T_c=25^\circ\text{C}$):

Parameter		Symbols	Ratings	Units
Light Output	CW	P_o	600	mW
Reverse Voltage	Laser	V_r	2	V
	PD	-	-	V
Operation Temperature		T_{op}	10~+30	$^\circ\text{C}$
Storage Temperature		T_{stg}	-40~+85	$^\circ\text{C}$

●Electrical and Optical Characteristics($T_c=25^\circ\text{C}$):

Parameter		Symbols	Condition	Min.	Typ.	Max.	Unit
Lasing Wavelength		λ_p	-	1410	1450	1490	nm
Spectral Width		$\Delta\lambda$	-	-	3	-	nm
Emitter Size		-	-	100x1			μm
Wavelength / Temperature		-	-	-	0.3	-	nm/ $^\circ\text{C}$
Threshold Current		I_{th}	-	-	0.7	0.9	A
Operating Current		I_{op}	-	-	2.8	3.0	A
Operating voltage		V_{op}	-	-	1.3	1.6	V
Beam ¹⁾ Divergence	Parallel	$\theta_{//}$	-	-	11	15	deg.
	Perpendicular	θ_{\perp}	-	-	45	52	deg.
Slope Efficiency		η	-	0.2	0.28	-	mW/mA

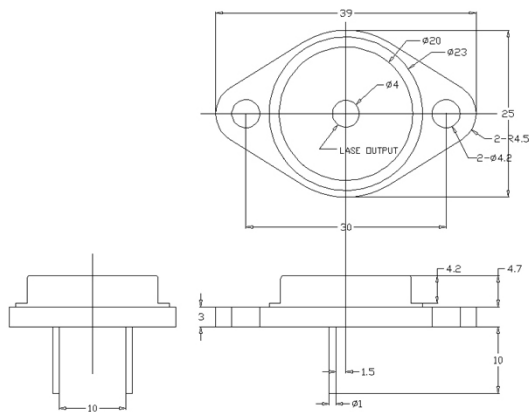
1) Full angle at half Maximum



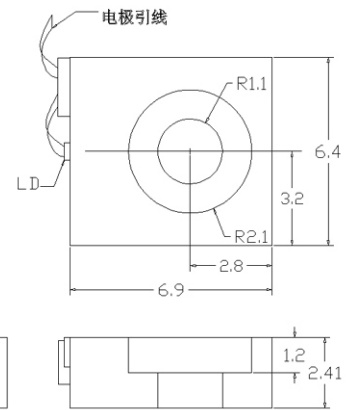


Tel: (+86) 577-8181-0885
 Fax: (+86)577-8826-3363
 www.z-optics.com
 Sales@z-optics.com

●Dimensions:

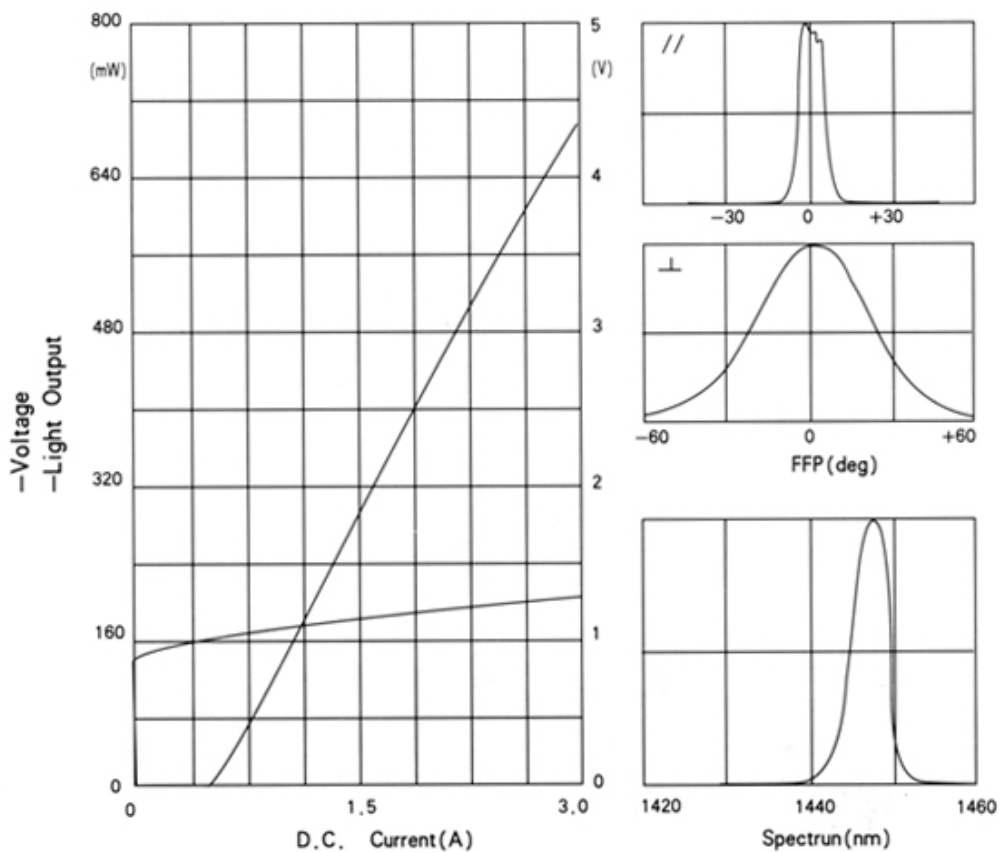


TO-3 Package



C-mount

●Typical Characteristic Curve:



Z-Optics Co., Ltd.
 Hailong Building C301, Xiaonan Road
 Wenzhou, Zhejiang Province
 325028, China
 Company Code: 3102282052763