



LD650-5-1

●Specifications:

Wavelength: 650nm
 Power: 5mW CW
 Package: TO18

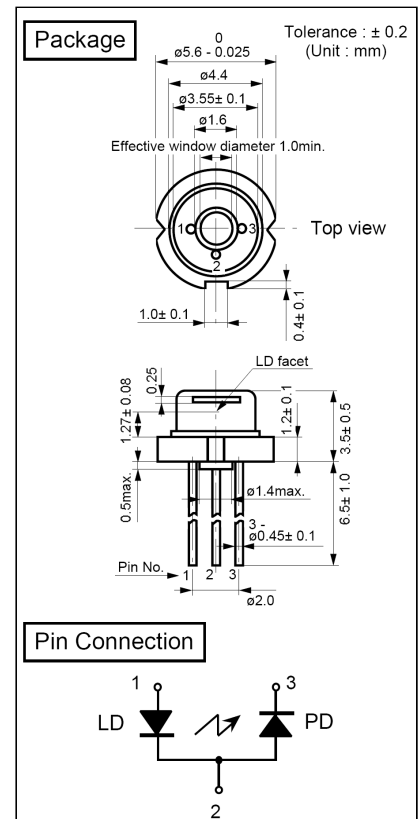
●Absolute Maximum Ratings($T_c=25^\circ\text{C}$):

Parameter		Symbols	Ratings	Units
Light Output	CW	P_o	5	mW
Reverse Voltage	Laser	V_r	2	V
	PD	$V_r(\text{PIN})$	30	V
Operation Temperature		T_{op}	-10~+40	$^\circ\text{C}$
Storage Temperature		T_{stg}	-15~+85	$^\circ\text{C}$

●Electrical and Optical Characteristics($T_c=25^\circ\text{C}$):

Parameter		Symbols	Condition	Min.	Typ.	Max.	Unit
Lasing Wavelength		λ_p	$P_o=5\text{mW}$	640	650	660	nm
Operating Current		I_{op}	$P_o=5\text{mW}$	-	20	30	mA
Operating voltage		V_{op}	$P_o=5\text{mW}$	-	2.2	2.8	V
Monitoring Output Current		I_m	$P_o=5\text{mW}$ $V_r=0\text{V}$	0.03	0.16	0.3	mA
Beam ¹⁾ Divergence	Parallel	$\theta_{//}$	$P_o=5\text{mW}$	5	7	12	deg.
	Perpendicular	θ_{\perp}	$P_o=5\text{mW}$	25	35	40	deg.
Slope Efficiency		η	-	0.4	0.7	1.2	mW/mA
Life Time (MTTF)				>5000			h

1) Full angle at half Maximum

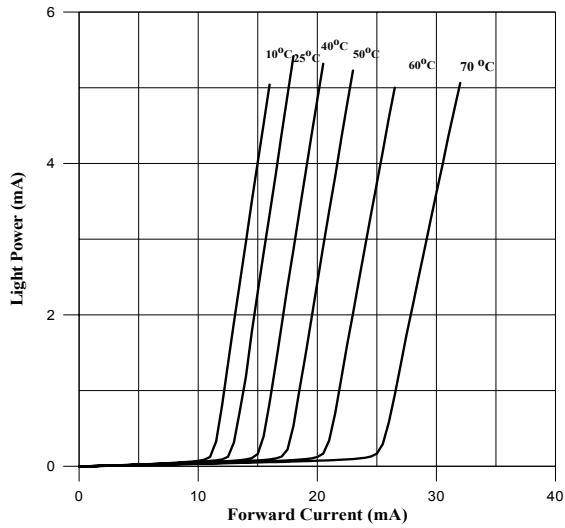




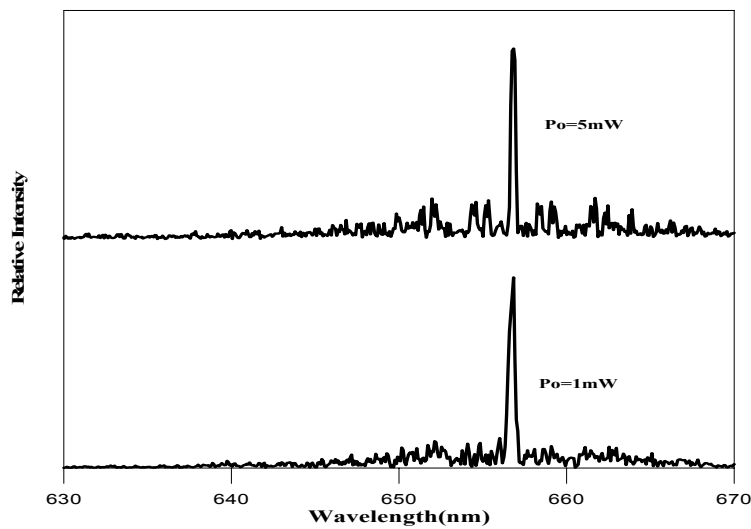
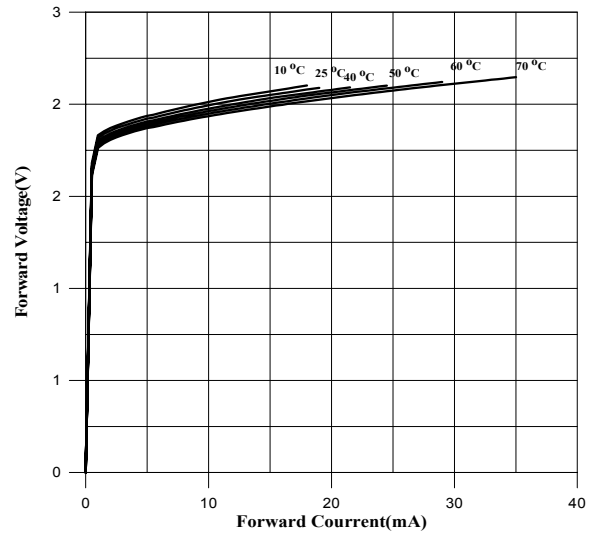
Tel: (+86) 577-8181-0885
Fax: (+86)577-6286-6900
www.z-optics.com
Sales@z-optics.com

●Electrical and Optical Characteristics Curves($T_c=25^{\circ}\text{C}$):

Light Power vs.Forward Current



Forward Voltage vs. Forward Current



Z-Optics Co., Ltd.
Hailong Building C301, Xiaonan Road
Wenzhou, Zhejiang Province
325028, China
Company Code: 3102282052763